

CAL

0231 - 0251 - 0331 - 0361 - 0511
0661 - 0801 - 1011 - 1301 - 1801

- I** CONDENSATORE AD ARIA
- GB** AIRCOOLED CONDENSER
- D** LUFTGEKÜHLTE KONDENSATOREN
- F** CONDENSEUR REFROIDI PAR AIR
- E** CONDENSADOR ENFRIADO POR AIRE



UNIFLAIR ITALIA S.r.l.

Via dell'Industria, 10
35020 BRUGINE (Padova) Italy
Tel. +39 (0)49 9713211
Fax. +39 (0)49 5806906
Internet: www.UNIFLAIR.com
E-Mail: info@UNIFLAIR.com

Release: 1.1	Date: 25 - 10 - 2001
Checked by:	

UNIFLAIR persegue una politica di costante innovazione tecnologica riservandosi il diritto di variare senza preavviso le caratteristiche qui riportate.

UNIFLAIR policy is one of continuous technological innovation and the Company therefore reserves the right to amend any data herein without prior notice.

Die **UNIFLAIR**-Firmenpolitik führt zu einer ständigen Verbesserung der Produkte. Die damit verbundenen Änderungen der technischen Daten behält sich **UNIFLAIR** jederzeit vor.

UNIFLAIR qui poursuit une politique continue d'innovations technologiques, se réserve le droit de modifier les caractéristiques de ses matériels sans préavis.

UNIFLAIR sigue una política de constante renovación tecnológica, reservándose el derecho a variar sin previo aviso los valores aquí especificados.

CAL



CONDENSATORI AD ARIA REMOTI

Versioni disponibili - Sistema di identificazione - Specifiche - Dati tecnici	pag. 4
Caratteristiche di funzionamento - Caratteristiche acustiche	pag. 9
Dimensioni e pesi	pag. 16



AIRCOOLED CONDENSERS

Available versions - Unit identification system - Specifications - Technical Data	page 5
Working characteristics - Noise data	page 9
Dimensions and weights	page 16



LUFTGEKÜHLTE KONDENSATOREN

Verfügbare versionen - Identifikations system - Spezifikation - Technische Daten	Seite 6
Betriebsdaten- Schallwerte	Seite 9
Abmessungen und Gewichte	Seite 16



CONDENSEURS REFROIDI PAR AIR

Versions disponibles - Système de codification - Description - Données techniques	page 7
Caractéristiques de fonctionnement - Caractéristiques acoustiques	page 9
Dimensions et poids	page 16



CONDENSADOR ENFRIADO POR AIRE

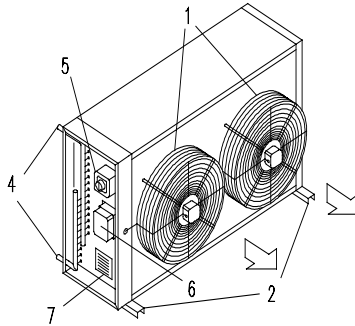
Versiones disponibles - Sistema de identificación - Especificaciones - Datos técnicos	pag. 8
Características de funcionamiento - Características acústicas	pag. 9
Dimensiones y pesos	pag. 16



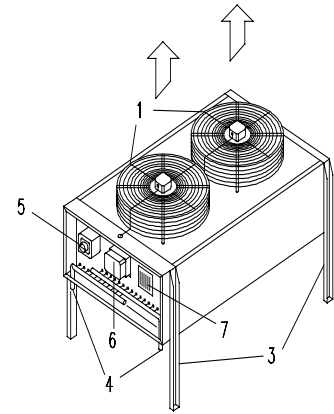
AVAILABLE VERSIONS

- 1 Propeller fan
- 2 Holding brackets
- 3 Holding legs
- 4 Connections
- 5 Mains isolator
- 6 Pressure regulator
- 7 Identification plate

P.S.: Fan number and layout depend on condenser model



HORIZONTAL AIR DISCHARGE ARRANGEMENT



VERTICAL AIR DISCHARGE ARRANGEMENT

IDENTIFICATION SYSTEM

CAL	080	1	P
CONDENSER FAMILY	CONDENSER SIZE	NO. OF REFRIGERANT CIRCUIT	HEAD PRESSURE CONTROL

EXAMPLE: **CAL0801P** is an air cooled condenser with:

- An indicative cooling capacity of 8 TONs at the evaporator;
- One refrigerant circuit;
- Head pressure control of the phase cut (TRIAC) modulating type.

B = No control
S = ON-OFF control
P = Phase cut modulating
V = VARICOND modulating

SPECIFICATIONS

Remote condenser with fan(s) of the axial type for outdoor installation, fully factory assembled and tested. The condensers can be installed in a vertical position with horizontal air flow or, with the addition of the appropriate brackets, in a horizontal position with vertical air flow.

The speed controllable fans with extremely low noise levels enable the units to be applied for both hi-tech and residential applications.

GENERAL DESCRIPTION

CASING, self-supporting and constructed entirely in aluminium for outdoor installation in demanding operating conditions.

MOTORFANS of the axial type, statically and dynamically balanced in two planes, with blades in non oxidising material and with external rotor motor suitable for speed regulation mounted on metal support grilles complying with safety norms.

CONDENSER COIL with generous face area, upstream of the fans for efficient air distribution,

constructed of copper tubes mechanically expanded into aluminium fins.

ROTALOCK TYPE REFRIGERANT CONNECTIONS located on one side of the condenser for the rapid and secure connection to the refrigerant pipelines by means of rotary connections or shut-off valves.

MAINS ISOLATOR, enclosed in an electrical panel with IP44 rating, with switching accessible from the outside and connection terminals.

OPTIONAL ACCESSORIES

SUPPORT BRACKETS FOR HORIZONTAL MOUNTING (vertical air discharge).

ANGLED ROTALOCK CONNECTIONS.

ANGLED ROTALOCK SHUT-OFF VALVES.

CONDENSING PRESSURE SENSOR for the cyclic operation of the fan(s) in order to maintain the condensing pressure within preset limits; the pressure switch has IP55 rating.

FAN SPEED HEAD PRESSURE CONTROL (Version P), with IP44 rating, for the control of the condenser

heat exchange capacity by means of an electronic device sensing the discharge gas pressure that varies the speed of the fan(s) in order to maintain a constant condensing pressure down to an air temperature of -15°C.

VARICOND HEAD PRESSURE CONTROL (Version V): fan speed controller consisting of an auto-transformer device with at least three steps of supply voltage with automatic switching as the condensing pressure varies. Compared to a semi-conductor controller the VARICOND device is characterised by:

- total absence of airborne electromagnetic disturbances;
- lower noise level at a given speed thanks to the absence of magnetic vibration phenomena of the motor caused by induced harmonics;
- lower energy losses in the motor because of the pure sinusoidal wave form of the supply.

TECHNICAL DATA

MODEL		CAL0231	CAL0251	CAL0331	CAL0361	CAL0511	CAL0661	CAL0801	CAL1011	CAL1301	CAL1801
NOMINAL CHARACTERISTICS											
Nominal heat exchange capacity ⁽¹⁾	kW	8,0	9,6	12,5	16,4	19,7	23,1	30,5	35,9	46,2	59,9
Nominal air flow	l/s	870	920	860	1750	1675	1780	2820	2710	3560	5050
	m ³ /h	3120	3310	3090	6300	6030	6410	10160	9750	12830	18180
Nominal sound pressure ⁽²⁾	dB(A)	47	47	47	49	49	49	51	50	51	52
FANS											
Number		1	1	1	2	2	2	3	3	4	6
Fan diameter	mm	450	450	450	450	450	450	450	450	450	450
No. of motor pole		6	6	6	6	6	6	6	6	6	6
Supply voltage	V	230	230	230	230	230	230	230	230	230	230
Nominal power	kW	0,14	0,14	0,14	2 x 0,14	2 x 0,14	2 x 0,14	3 x 0,14	3 x 0,14	4 x 0,14	6 x 0,14
Nominal speed of rotation	rpm	880	880	880	880	880	880	880	880	880	880
HEAT EXCHANGER											
Casing material		aluminium	aluminium	aluminium	aluminium	aluminium	aluminium	aluminium	aluminium	aluminium	aluminium
Fin material		aluminium	aluminium	aluminium	aluminium	aluminium	aluminium	aluminium	aluminium	aluminium	aluminium
Tube material		copper	copper	copper	copper	copper	copper	copper	copper	copper	copper
Cross section area	m ²	0,33	0,46	0,46	0,68	0,68	0,95	1,53	1,53	1,89	2,10
No. of rows		2	2	4	2	3	3	2	3	3	3
Internal volume	l	1,9	2,7	5,3	4,1	6,0	8,4	9,0	13,2	16,2	18,4

⁽¹⁾ With condensing temperature= 50°C; cooling air temperature= 32°C ⁽²⁾ With vertical air discharge, in free field at a distance of 1 m from the front of the room unit.



CARATTERISTICHE DI FUNZIONAMENTO

Nelle pag.10-11 sono tabulate le caratteristiche funzionali dei condensatori CAL per ogni modello e per varie tensioni **VOLT** di alimentazione (ad onda intera) dei ventilatori.

Stabilite la temperatura dell'aria di raffreddamento **Text** e la temperatura di condensazione satura **Tcond**, scegliere il modello in grado di smaltire la quantità di calore di progetto (tabella di destra) al livello di rumorosità **SPL** desiderato.

Si noti ad esempio che a parità di resa si possono scegliere:

1. il mod. CAL0661 alimentato a 130V con livello sonoro 37 dB(A);
2. il mod. CAL0361 alimentato a 230V con livello sonoro 49 dB(A).



WORKING CHARACTERISTICS

On pages 10-11 are tabulated the operating characteristics of the CAL condensers for each model and for various supply voltages **VOLT** (full wave) of the fans.

Having established the cooling air temperature **Text** and the saturated condensing temperature **Tcond**, choose the model capable of exchanging the design heat load (table on the right) at the desired **sound pressure level**.

For example, for the same load the following could be chosen:

1. model CAL0661 supplied at 130V with a sound pressure level of 37 dB(A);
3. model CAL0361 supplied at 230V with a sound pressure level of 49 dB(A).



BETRIEBSDATEN

Auf Seite 10-11 sind die Betriebsdaten der Kondensatoren CAL tabellarisch für jeden Typ und für verschiedene Betriebsspannungen der Ventilatoren angegeben. Nach Festlegung der Kühllufttemperatur **Text** und der Kondensationstemperatur für gesättigtes Kältemittelgas **Tcond** wählt man den Gerätetyp aus der rechten Tabelle aus, entsprechend der benötigten Wärmeabgabeleistung unter Berücksichtigung des gewünschten Schalldruckpegels zum Beispiel können für die selbe Leistung folgende Geräte ausgewählt werden:

1. Typ CAL0661 mit Versorgungsspannung 130V und einem Schalldruckpegel von 37 dB(A);
2. Typ CAL0361 mit Versorgungsspannung 230V und einem Schalldruckpegel von 49 dB(A).



CARACTÉRISTIQUES DE FONCTIONNEMENT

En page 10-11 figure un tableau des caractéristiques de fonctionnement des condenseurs CAL pour chaque modèle et pour diverses tensions d'alimentation **VOLT** des ventilateurs.

Une fois établies la température de l'air de refroidissement **Text** et la température saturée de condensation **Tcond**, choisissez le modèle susceptible de gérer la charge de transfert thermique voulue (tableau de droite) au **niveau de pression acoustique** souhaité.

Ainsi, à charge égale, le choix pourrait porter sur l'un des modèles suivants:

1. Modèle CAL0661 alimenté à 130V avec une pression acoustique de 37 dB(A);
2. Modèle CAL0361 alimenté à 230V avec une pression acoustique de 49 dB(A).



CARACTERISTICAS DE FUNCIONAMIENTO

En la pag. 10-11 están representadas las características funcionales de los condensadores CAL para cada módulo y para varias tensiones "**VOLTIOS**" de alimentación (a onda entera) de los ventiladores.

Establecidas la Temperatura del aire de enfriamiento **Text** y la temperatura de condensación saturada **Tcond**, escoger el modelo en grado de soportar la cantidad de calor del proyecto (table derecha) al nivel de ruido **SPL** deseado.

Si se nota por ejemplo que a igualdad de rendimiento se puede elegir entre:

1. El mod. CAL0661 alimentado a 130V con nivel sonoro 37 dB(A);
2. El mod. CAL0361 alimentado a 230V con nivel sonoro 49 dB(A).

CARATTERISTICHE ACUSTICHE

Le caratteristiche acustiche dei condensatori CAL sono tabulate nelle pagine 12-13-14-15; per ogni modello sono riportati:

- lo spettro sonoro per banda d'ottava;
- il livello sonoro ponderato in **dB(A)**;
- l'indice **NR** secondo ISO R 1996;

per varie tensioni **VOLT** di alimentazione dei ventilatori sia con regolazione di tensione ad onda intera (VARICOND: pag 12) che a taglio di fase (TRIAC: pag. 14).

I valori sono relativi a misure in campo libero (senza pareti riverberanti) a 1 metro dal suolo e a 5 m di distanza dal condensatore.

SOUND CHARACTERISTICS

The sound characteristics of the CAL condensers are tabulated on pages 12-13-14-15; for each model are shown:

- the sound spectrum by octave band;
- the weighted sound level in **dB(A)**;
- the **NR** index to ISO R 1996;

for various supply voltages **VOLT** to the fans, either with full wave voltage control (VARICOND: page 12) or with phase cut control (TRIAC: page 14).

The values relate to measurements in free field conditions (without reverberating walls) at one metre above the ground and at five metres from the condenser

SCHALLWERTE

Die Lärmkennwerte der CAL-Kondensatoren sind auf Seite 12-13-14-15 aufgelistet; dabei sind für jeden Typ angegeben:

- der Schallpegel in Abhängigkeit des Oktavbandes;
- der bewertete Schallpegel **dB(A)**;
- der **NR** Index entsprechend ISO R 1996.

Diese Werte sind angegeben für verschiedene Betriebsspannungen der Ventilatoren, entweder mit VARICOND-Regelung und konstant sinusförmiger Spannung, oder mit Phasenanschnittsteuerung (TRIAC).

Die Werte wurden gemessen unter Freifeldbedingungen (ohne reflektierende Wände) 1 m über dem Boden und in 5 m Entfernung vom Kondensator.

CARACTÉRISTIQUES ACOUSTIQUES

Les caractéristiques acoustiques des condenseurs CAL sont présentées sous forme de tableaux aux pages 12-13-14-15: pour chaque modèle, les informations suivantes sont fournies.

- le spectre acoustique par bande d'octave;
- le niveau sonore pondéré en **dB(A)**;
- l'indice **NR** selon l'ISO R 1996;

pour diverses tensions d'alimentation des ventilateurs (**VOLT**), avec régulation de tension en onde pleine (VARICOND, page 12) ou régulation par variation de tension (TRIAC, page 14).

Les valeurs se rapportent à des mesures effectuées en champ libre (sans murs réfléchissants) à un mètre au dessus du sol et à cinq mètres du condenseur.

CARACTERISTICAS ACÚSTICAS

Las características acústicas de los condensadores CAL están representadas en las pag. 12-13-14-15; para cada modelo se indica lo siguiente:

- el espectro sonoro por banda de octava;
- el nivel sempre ponderado en **dB(A)**;
- el índice **NR** según ISO R 1996;

para varias tensiones **VOLT** de alimentación de los ventiladores ya sea con regulación de tensión a onda entera (VARICOND pag. 12), que a corte de fase (TRIAC pag. 14). Los valores son relativos a medidas en campo abierto (sin paredes reverberantes) a 1 m. del suelo y a 5 m. de distancia del condensador.

kW

50Hz - R22

CAL0231**CAL0251****CAL0331****CAL0361****CAL0511****CAL0661****CAL0801****CAL1011****CAL1301****CAL1801**

VOLT	RPM	INPUT	AIRFLOW		SPL	Text - °C	
			l/s	m³/h		Tcond	- °C
V	rpm	A			dB(A)		
100 V	390	0,5	344	1240	29	100 V	kW
130 V	520	0,5	514	1850	35	130 V	kW
160 V	645	0,6	656	2360	40	160 V	kW
230 V	880	0,6	867	3120	47	230 V	kW
100 V	390	0,5	364	1310	29	100 V	kW
130 V	525	0,5	544	1960	36	130 V	kW
160 V	655	0,6	694	2500	40	160 V	kW
230 V	890	0,6	919	3310	47	230 V	kW
100 V	385	0,5	339	1220	29	100 V	kW
130 V	520	0,5	506	1820	35	130 V	kW
160 V	645	0,6	647	2330	40	160 V	kW
230 V	875	0,6	858	3090	47	230 V	kW
100 V	390	0,9	694	2500	31	100 V	kW
130 V	520	1,0	1033	3720	37	130 V	kW
160 V	645	1,2	1322	4760	42	160 V	kW
230 V	880	1,2	1750	6300	49	230 V	kW
100 V	385	0,9	664	2390	31	100 V	kW
130 V	515	1,0	989	3560	37	130 V	kW
160 V	640	1,2	1267	4560	42	160 V	kW
230 V	870	1,2	1675	6030	49	230 V	kW
100 V	390	0,9	706	2540	31	100 V	kW
130 V	525	1,0	1053	3790	37	130 V	kW
160 V	650	1,2	1347	4850	42	160 V	kW
230 V	885	1,2	1781	6410	49	230 V	kW
100 V	395	1,4	1119	4030	33	100 V	kW
130 V	530	1,5	1669	6010	39	130 V	kW
160 V	660	1,8	2136	7690	44	160 V	kW
230 V	895	1,9	2822	10160	51	230 V	kW
100 V	390	1,4	1075	3870	33	100 V	kW
130 V	525	1,5	1600	5760	39	130 V	kW
160 V	650	1,8	2050	7380	44	160 V	kW
230 V	885	1,9	2708	9750	50	230 V	kW
100 V	390	1,8	1414	5090	33	100 V	kW
130 V	525	2,0	2106	7580	39	130 V	kW
160 V	650	2,3	2694	9700	44	160 V	kW
230 V	885	2,5	3564	12830	51	230 V	kW
100 V	385	2,8	2006	7220	34	100 V	kW
130 V	515	3,1	2986	10750	41	130 V	kW
160 V	640	3,5	3819	13750	45	160 V	kW
230 V	875	3,7	5050	18180	52	230 V	kW



VOLT : Tensione di alimentazione
RPM : Velocità di rotazione dei ventilatori
INPUT : Corrente assorbita
AIRFLOW : Portata d'aria
SPL : Livello di pressione sonora a 5 m, in campo libero, con flusso d'aria verticale

Text : Temperatura dell'aria di raffreddamento
Tcond : Temperatura saturata di condensazione

N.B.: dati con regolazione VARICOND
Istruzioni a pagina 9



Supply voltage
Fan rotation speed
Operating current
Air volume
Sound pressure level at 5 m, in free field, with vertical air discharge

Cooling air temperature
Saturated condensing temperature

N.B.: data with VARICOND regulator
Instructions at page 9

30			32			35			38			40			43		45	
45	50	55	45	50	55	50	55	60	50	55	60	50	55	60	55	60	55	60
3.9	5.1	6.4	3.3	4.6	5.8	3.8	5.1	6.3	3.1	4.3	5.5	2.5	3.8	5.0	3.0	4.3	2.5	3.8
5.0	6.6	8.2	4.3	5.9	7.6	4.9	6.6	8.2	4.0	5.6	7.2	3.3	4.9	6.5	3.9	5.5	3.3	4.9
5.7	7.6	9.5	5.0	6.9	8.7	5.7	7.6	9.5	4.6	6.5	8.3	3.8	5.7	7.6	4.5	6.4	3.8	5.7
6.7	8.9	11.1	5.8	8.0	10.2	6.7	8.9	11.1	5.3	7.5	9.7	4.5	6.7	8.9	5.3	7.5	4.4	6.6
4.4	5.9	7.3	3.8	5.3	6.7	4.4	5.8	7.2	3.5	4.9	6.4	2.9	4.4	5.8	3.5	4.9	2.9	4.3
5.8	7.7	9.6	5.0	6.9	8.8	5.8	7.7	9.5	4.6	6.5	8.4	3.8	5.7	7.6	4.6	6.5	3.8	5.7
6.8	9.0	11.2	5.9	8.1	10.3	6.7	8.9	11.1	5.4	7.6	9.8	4.5	6.7	8.9	5.4	7.6	4.5	6.7
8.0	10.6	13.2	6.9	9.6	12.2	8.0	10.6	13.2	6.4	9.0	11.6	5.3	7.9	10.5	6.3	8.9	5.3	7.9
5.1	6.8	8.4	4.4	6.1	7.7	5.1	6.7	8.3	4.0	5.7	7.3	3.4	5.0	6.6	4.0	5.6	3.3	4.9
7.1	9.4	11.6	6.1	8.4	10.7	7.0	9.3	11.5	5.6	7.9	10.1	4.7	6.9	9.2	5.5	7.8	4.6	6.9
8.6	11.3	14.1	7.4	10.2	12.9	8.5	11.2	13.9	6.8	9.5	12.3	5.6	8.4	11.1	6.7	9.4	5.6	8.3
10.5	13.9	17.3	9.1	12.5	15.9	10.4	13.8	17.1	8.3	11.7	15.1	6.9	10.3	13.7	8.2	11.6	6.9	10.2
7.8	10.4	12.9	6.8	9.3	11.9	7.8	10.3	12.8	6.2	8.8	11.3	5.2	7.7	10.2	6.2	8.7	5.1	7.7
10.1	13.4	16.7	8.8	12.1	15.4	10.1	13.3	16.6	8.0	11.3	14.6	6.7	10.0	13.3	8.0	11.3	6.7	9.9
11.7	15.6	19.4	10.1	14.0	17.8	11.7	15.5	19.3	9.3	13.2	17.0	7.8	11.6	15.4	9.3	13.1	7.7	11.5
13.7	18.2	22.7	11.9	16.4	20.9	13.7	18.1	22.6	10.9	15.4	19.9	9.1	13.6	18.1	10.9	15.3	9.0	13.5
8.8	11.7	14.5	7.6	10.5	13.3	8.7	11.6	14.4	7.0	9.8	12.6	5.8	8.6	11.5	6.9	9.7	5.7	8.6
11.7	15.6	19.3	10.2	14.0	17.8	11.6	15.4	19.2	9.3	13.1	16.9	7.7	11.6	15.3	9.2	13.0	7.7	11.5
13.8	18.4	22.9	12.0	16.5	21.0	13.8	18.2	22.7	11.0	15.5	20.0	9.1	13.7	18.1	10.9	15.4	9.1	13.6
16.5	21.9	27.3	14.3	19.7	25.1	16.4	21.8	27.1	13.1	18.5	23.9	10.9	16.3	21.7	13.0	18.4	10.9	16.2
9.9	13.2	16.3	8.6	11.8	15.0	9.8	13.0	16.2	7.9	11.1	14.2	6.5	9.7	12.9	7.8	11.0	6.5	9.7
13.5	17.9	22.2	11.7	16.1	20.4	13.4	17.7	22.0	10.7	15.0	19.3	8.9	13.2	17.6	10.6	14.9	8.8	13.1
16.1	21.3	26.5	13.9	19.1	24.3	15.9	21.1	26.3	12.7	17.9	23.1	10.6	15.8	21.0	12.6	17.8	10.5	15.7
19.4	25.7	32.0	16.8	23.1	29.4	19.2	25.5	31.7	15.4	21.7	27.9	12.8	19.1	25.3	15.3	21.5	12.7	19.0
14.0	18.5	23.0	12.1	16.6	21.1	13.8	18.4	22.8	11.1	15.6	20.0	9.2	13.7	18.2	11.0	15.5	9.1	13.6
18.4	24.4	30.4	15.9	21.9	27.9	18.3	24.2	30.2	14.6	20.6	26.5	12.2	18.1	24.1	14.5	20.4	12.1	18.0
21.6	28.6	35.6	18.7	25.7	32.7	21.4	28.4	35.4	17.1	24.2	31.1	14.3	21.3	28.3	17.0	24.0	14.2	21.2
25.5	33.9	42.2	22.1	30.5	38.8	25.4	33.7	42.0	20.3	28.6	36.9	16.9	25.3	33.6	20.2	28.5	16.8	25.1
15.3	20.3	25.2	13.3	18.3	23.2	15.2	20.1	25.0	12.1	17.1	21.9	10.1	15.0	19.9	12.0	16.9	10.0	14.9
20.8	27.6	34.3	18.0	24.8	31.5	20.6	27.4	34.0	16.5	23.2	29.9	13.7	20.5	27.1	16.3	23.0	13.6	20.3
24.9	33.0	41.0	21.6	29.7	37.7	24.7	32.8	40.7	19.7	27.8	35.8	16.4	24.5	32.5	19.6	27.6	16.3	24.3
30.1	39.9	49.7	26.1	35.9	45.7	29.9	39.6	49.3	23.9	33.7	43.3	19.9	29.7	39.4	23.7	33.4	19.7	29.5
19.9	26.4	32.7	17.2	23.7	30.1	19.7	26.1	32.4	15.7	22.2	28.5	13.1	19.5	25.9	15.6	21.9	13.0	19.3
27.0	35.7	44.4	23.3	32.1	40.8	26.7	35.4	44.0	21.3	30.1	38.7	17.8	26.5	35.1	21.2	29.8	17.6	26.3
32.1	42.6	53.0	27.8	38.3	48.7	31.9	42.3	52.5	25.5	35.9	46.2	21.2	31.6	41.9	25.3	35.6	21.0	31.4
38.7	51.4	64.0	33.5	46.2	58.8	38.5	51.1	63.5	30.7	43.4	55.8	25.6	38.2	50.7	30.5	43.1	25.4	38.0
26.7	35.4	44.0	23.1	31.8	40.4	26.5	35.1	43.6	21.1	29.8	38.3	17.6	26.2	34.8	21.0	29.5	17.4	26.0
35.6	47.2	58.7	30.8	42.5	54.0	35.3	46.9	58.3	28.2	39.8	51.2	23.5	35.1	46.5	28.0	39.5	23.3	34.8
42.0	55.8	69.4	36.4	50.2	63.8	41.8	55.4	68.9	33.4	47.0	60.6	27.8	41.5	55.0	33.1	46.7	27.6	41.2
50.2	66.6	82.9	43.5	59.9	76.3	49.9	66.2	82.5	39.9	56.2	72.5	33.2	49.6	65.9	39.6	55.9	33.0	49.3



Spannung
Ventilator Drehzahl
Betriebsstrom
Luftleistung
Lärmdruckpegel im Abstand von 5 m.,
gemessen unter Freifeld-Bedingungen
bei senkrechter Luftströmung
Außenlufttemperatur
Kondensationstemperatur

P.S.: Werte ermittelt mit VARICON-
Regelung
Anleitung auf Seite 9



Tension d'alimentation
Vitesse de rotation
Intensité
Débit d'air
Pression acoustique à 5 m., à l'aire libre, avec
refoulement d'air vertical
Temperature extérieure
Temperature de condensation

N.B.: Données pour le régulateur VARICON
Instructions page 9



Tension de alimentación
Velocidad de rotación
Intensidad absorbida
Caudal de aire
Nivel de presión sonora a 5 m., en campo
abierto con flujo de aire vertical
Temperatura exterior
Temperatura de condensación

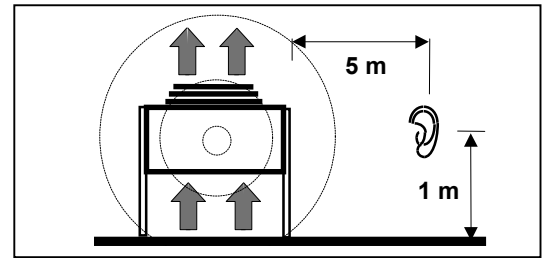
P.S.: Datos con regulación VARICON
Instrucciones a la página 9

dB

VARICOND

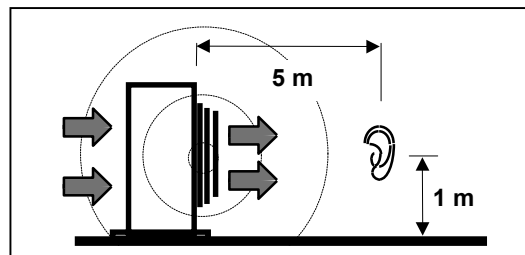
50 Hz

- (I) SCARICO D'ARIA VERTICALE
- (GB) VERTICAL AIR DISCHARGE
- (D) SENKRECHTE LUFTSTRÖMUNG
- (F) REFOULEMENT D'AIR VERTICAL
- (E) DESCARGA DE AIRE VERTICAL



	VOLT	63 Hz	125 Hz	250 Hz	500 Hz	1000 Hz	2000 Hz	4000 Hz	dB(A)	NR
CAL0231	100 V	33,4	33,8	31,7	26,4	22,8	18,3	12,3	28,9	<<40
	130 V	39,8	40,2	38,1	32,8	29,2	24,7	18,7	35,3	<<40
	160 V	44,5	44,9	42,8	37,5	33,9	29,4	23,4	40,0	<<40
	230 V	51,2	51,6	49,5	44,2	40,6	36,1	30,1	46,7	40,5
CAL0251	100 V	33,7	34,1	32,0	26,7	23,1	18,6	12,6	29,2	<<40
	130 V	40,1	40,5	38,4	33,1	29,5	25,0	19,0	35,6	<<40
	160 V	44,8	45,2	43,1	37,8	34,2	29,7	23,7	40,3	<40
	230 V	51,5	51,9	49,8	44,5	40,9	36,4	30,4	47,0	41,0
CAL0331	100 V	33,4	33,8	31,7	26,4	22,8	18,3	12,3	28,9	<<40
	130 V	39,7	40,1	38,0	32,7	29,1	24,6	18,6	35,2	<<40
	160 V	44,4	44,8	42,7	37,4	33,8	29,3	23,3	39,9	<40
	230 V	51,1	51,5	49,4	44,1	40,5	36,0	30,0	46,6	40,5
CAL0361	100 V	35,5	35,9	33,8	28,5	24,9	20,4	14,4	32,5	<<40
	130 V	41,8	42,2	40,1	34,8	31,2	26,7	20,7	37,3	<<40
	160 V	46,5	46,9	44,8	39,5	35,9	31,4	25,4	42,0	<40
	230 V	53,2	53,6	51,5	46,2	42,6	38,1	32,1	48,7	42,5
CAL0511	100 V	35,3	35,7	33,6	28,3	24,7	20,2	14,2	32,3	<<40
	130 V	41,6	42,0	39,9	34,6	31,0	26,5	20,5	37,1	<<40
	160 V	46,3	46,7	44,6	39,3	35,7	31,2	25,2	41,8	<40
	230 V	53,0	53,4	51,3	46,0	42,4	37,9	31,9	48,5	42,5
CAL0661	100 V	35,5	35,9	33,8	28,5	24,9	20,4	14,4	31,0	<<40
	130 V	41,9	42,3	40,2	34,9	31,3	26,8	20,8	37,4	<<40
	160 V	46,6	47,0	44,9	39,6	36,0	31,5	25,5	42,1	<40
	230 V	53,3	53,7	51,6	46,3	42,7	38,2	32,2	48,8	43,0
CAL0801	100 V	37,3	37,7	35,6	30,3	26,7	22,2	16,2	32,8	<<40
	130 V	43,7	44,1	42,0	36,7	33,1	28,6	22,6	39,2	<<40
	160 V	48,4	48,8	46,7	41,4	37,8	33,3	27,3	43,9	<40
	230 V	55,1	55,5	53,4	48,1	44,5	40,0	34,0	50,6	44,5
CAL1011	100 V	37,1	37,5	35,4	30,1	26,5	22,0	16,0	32,6	<<40
	130 V	43,5	43,9	41,8	36,5	32,9	28,4	22,4	39,0	<<40
	160 V	48,2	48,6	46,5	41,2	37,6	33,1	27,1	43,7	<40
	230 V	54,9	55,3	53,2	47,9	44,3	39,8	33,8	50,4	44,5
CAL1301	100 V	37,5	37,9	35,8	30,5	26,9	22,4	16,4	33,0	<<40
	130 V	43,9	44,3	42,2	36,9	33,3	28,8	22,8	39,4	<<40
	160 V	48,6	49,0	46,9	41,6	38,0	33,5	27,5	44,1	<40
	230 V	55,3	55,7	53,6	48,3	44,7	40,2	34,2	50,8	45,0
CAL1801	100 V	38,8	39,2	37,1	31,8	28,2	23,7	17,7	34,3	<<40
	130 V	45,1	45,5	43,4	38,1	34,5	30,0	24,0	40,6	<<40
	160 V	49,8	50,2	48,1	42,8	39,2	34,7	28,7	45,3	<40
	230 V	56,6	57,0	54,9	49,6	46,0	41,5	35,5	52,1	46,0

- I** SCARICO D'ARIA ORIZZONTALE
- GB** HORIZONTAL AIR DISCHARGE
- D** WAAGRECHTE LUFTSTRÖMUNG
- F** REFOULEMENT D'AIR HORIZONTAL
- E** DESCARGA DE AIRE HORIZONTAL



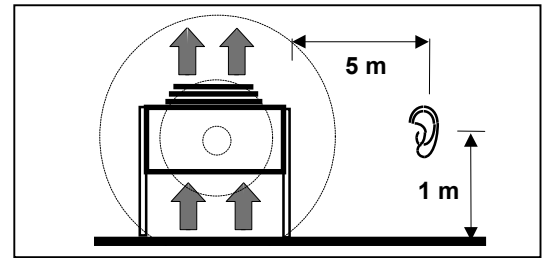
VOLT	63 Hz	125 Hz	250 Hz	500 Hz	1000 Hz	2000 Hz	4000 Hz	dB(A)	NR
100 V	36,4	34,4	33,2	27,4	24,8	20,1	15,9	30,4	<<40
130 V	42,8	40,8	39,6	33,8	31,2	26,5	22,3	36,8	<<40
160 V	47,5	45,5	44,3	38,5	35,9	31,2	27,0	41,5	<<40
230 V	54,2	52,2	51,0	45,2	42,6	37,9	33,7	48,2	42,5
100 V	36,7	34,7	33,5	27,7	25,1	20,4	16,2	30,7	<<40
130 V	43,1	41,1	39,9	34,1	31,5	26,8	22,6	37,1	<<40
160 V	47,8	45,8	44,6	38,8	36,2	31,5	27,3	41,8	<40
230 V	54,5	52,5	51,3	45,5	42,9	38,2	34,0	48,5	42,5
100 V	36,4	34,4	33,2	27,4	24,8	20,1	15,9	30,4	<<40
130 V	42,7	40,7	39,5	33,7	31,1	26,4	22,2	36,7	<<40
160 V	47,4	45,4	44,2	38,4	35,8	31,1	26,9	41,4	<40
230 V	54,1	52,1	50,9	45,1	42,5	37,8	33,6	48,1	42,5
100 V	38,5	36,5	35,3	29,5	26,9	22,2	18,0	31,0	<<40
130 V	44,8	42,8	41,6	35,8	33,2	28,5	24,3	38,8	<<40
160 V	49,5	47,5	46,3	40,5	37,9	33,2	29,0	43,5	<40
230 V	56,2	54,2	53,0	47,2	44,6	39,9	35,7	50,2	45,0
100 V	38,3	36,3	35,1	29,3	26,7	22,0	17,8	30,8	<<40
130 V	44,6	42,6	41,4	35,6	33,0	28,3	24,1	38,6	<<40
160 V	49,3	47,3	46,1	40,3	37,7	33,0	28,8	43,3	<40
230 V	56,0	54,0	52,8	47,0	44,4	39,7	35,5	50,0	44,5
100 V	38,5	36,5	35,3	29,5	26,9	22,2	18,0	32,5	<<40
130 V	44,9	42,9	41,7	35,9	33,3	28,6	24,4	38,9	<<40
160 V	49,6	47,6	46,4	40,6	38,0	33,3	29,1	43,6	<40
230 V	56,3	54,3	53,1	47,3	44,7	40,0	35,8	50,3	45,0
100 V	40,3	38,3	37,1	31,3	28,7	24,0	19,8	34,3	<<40
130 V	46,7	44,7	43,5	37,7	35,1	30,4	26,2	40,7	<<40
160 V	51,4	49,4	48,2	42,4	39,8	35,1	30,9	45,4	40,0
230 V	58,1	56,1	54,9	49,1	46,5	41,8	37,6	52,1	46,5
100 V	40,1	38,1	36,9	31,2	28,5	23,8	19,6	34,1	<<40
130 V	46,5	44,5	43,3	37,5	34,9	30,2	26,0	40,5	<<40
160 V	51,2	49,2	48,0	42,2	39,6	34,9	30,7	45,2	40,0
230 V	57,9	55,9	54,7	48,9	46,3	41,6	37,4	51,9	46,5
100 V	40,5	38,5	37,3	31,5	28,9	24,2	20,0	34,5	<<40
130 V	46,9	44,9	43,7	37,9	35,3	30,6	26,4	40,9	<<40
160 V	51,6	49,6	48,4	42,6	40,0	35,3	31,1	45,6	40,0
230 V	58,3	56,3	55,1	49,3	46,7	42,0	37,8	52,3	46,5
100 V	41,8	39,8	38,6	32,8	30,2	25,5	21,3	35,8	<<40
130 V	48,1	46,1	44,9	39,1	36,5	31,8	27,6	42,1	<<40
160 V	52,8	50,8	49,6	43,8	41,2	36,5	32,3	46,8	41,0
230 V	59,6	57,6	56,4	50,6	48,0	43,3	39,1	53,6	48,0

dB

TRIAC

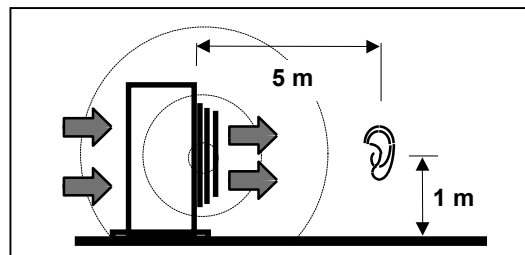
50 Hz

- ⓘ SCARICO D'ARIA VERTICALE
- ⓄB VERTICAL AIR DISCHARGE
- Ⓧ SENKRECHTE LUFTSTRÖMUNG
- Ⓣ REFOULEMENT D'AIR VERTICAL
- Ⓧ DESCARGA DE AIRE VERTICAL



	VOLT	63 Hz	125 Hz	250 Hz	500 Hz	1000 Hz	2000 Hz	4000 Hz	dB(A)	NR
CAL0231	100 V	36,0	36,4	34,3	29,0	25,4	20,9	14,9	31,5	<<40
	130 V	41,7	42,1	40,0	34,7	31,1	26,6	20,6	37,2	<<40
	160 V	45,8	46,2	44,1	38,8	35,2	30,7	24,7	41,3	<<40
	230 V	51,2	51,6	49,5	44,2	40,6	36,1	30,1	46,7	41,0
CAL0251	100 V	36,3	36,7	34,6	29,3	25,7	21,2	15,2	31,8	<<40
	130 V	42,0	42,4	40,3	35,0	31,4	26,9	20,9	37,5	<<40
	160 V	46,1	46,5	44,4	39,1	35,5	31,0	25,0	41,6	<40
	230 V	51,5	51,9	49,8	44,5	40,9	36,4	30,4	47,0	41,0
CAL0331	100 V	35,9	36,3	34,2	28,9	25,3	20,8	14,8	31,4	<<40
	130 V	41,6	42,0	39,9	34,6	31,0	26,5	20,5	37,1	<<40
	160 V	45,7	46,1	44,0	38,7	35,1	30,6	24,6	41,2	<40
	230 V	51,1	51,5	49,4	44,1	40,5	36,0	30,0	46,6	40,5
CAL0361	100 V	38,0	38,4	36,3	31,0	27,4	22,9	16,8	33,5	<<40
	130 V	43,7	44,1	42,0	36,7	33,1	28,6	22,6	39,2	<<40
	160 V	47,8	48,2	46,1	40,8	37,2	32,7	26,7	43,3	<40
	230 V	53,2	53,6	51,5	46,2	42,6	38,6	32,1	48,7	42,5
CAL0511	100 V	37,8	38,2	36,1	30,8	27,2	22,7	16,7	33,3	<<40
	130 V	43,5	43,9	41,8	36,5	32,9	28,4	22,4	39,0	<<40
	160 V	47,6	48,0	45,9	40,6	37,0	32,5	26,5	43,1	<40
	230 V	53,0	53,4	51,3	46,0	42,4	37,9	31,9	48,5	42,5
CAL0661	100 V	38,1	38,5	36,4	31,1	27,5	23,0	17,0	33,6	<<40
	130 V	43,9	44,3	42,2	36,9	33,3	28,8	22,8	39,4	<<40
	160 V	47,9	48,3	46,2	40,9	37,3	32,8	26,8	43,4	<40
	230 V	53,3	53,7	51,6	46,3	42,7	38,2	32,2	48,8	43,0
CAL0801	100 V	39,9	40,3	38,2	32,9	29,3	24,8	18,8	35,4	<<40
	130 V	45,7	46,1	44,0	38,7	35,1	30,6	24,6	41,2	<<40
	160 V	49,7	50,1	48,0	42,7	39,1	34,6	28,6	45,2	<40
	230 V	55,1	55,5	53,4	48,1	44,5	40,0	34,0	50,6	44,5
CAL1011	100 V	39,7	40,1	38,0	32,7	29,1	24,6	18,6	35,2	<<40
	130 V	45,4	45,8	43,7	38,4	34,8	30,3	24,3	40,9	<<40
	160 V	49,5	49,9	47,8	42,5	38,9	34,4	28,4	45,0	<40
	230 V	54,9	55,3	53,2	47,9	44,3	39,8	33,8	50,4	44,5
CAL1301	100 V	40,1	40,5	38,4	33,1	29,5	25,0	19,0	35,6	<<40
	130 V	45,9	46,3	44,2	38,9	35,3	30,8	24,8	41,7	<<40
	160 V	49,9	50,3	48,2	42,7	39,3	34,8	28,8	45,4	<40
	230 V	55,3	55,7	53,6	48,3	44,7	40,2	34,2	50,8	45,0
CAL1801	100 V	41,4	41,8	39,7	34,4	30,8	26,3	20,3	36,9	<<40
	130 V	47,0	47,4	45,3	40,0	36,4	31,9	25,9	42,5	<<40
	160 V	51,1	51,5	49,4	44,1	40,5	36,0	30,0	46,6	40,5
	230 V	56,6	57,0	54,9	49,6	46,0	41,5	35,5	52,1	46,0

- (I)** SCARICO D'ARIA ORIZZONTALE
- (GB)** HORIZONTAL AIR DISCHARGE
- (D)** WAAGRECHTE LUFTSTRÖMUNG
- (F)** REFOULEMENT D'AIR HORIZONTAL
- (E)** DESCARGA DE AIRE HORIZONTAL



VOLT	63 Hz	125 Hz	250 Hz	500 Hz	1000 Hz	2000 Hz	4000 Hz	dB(A)	NR
100 V	44,5	42,5	41,3	35,5	32,9	28,2	24,0	38,5	<<40
130 V	48,8	46,8	45,6	39,8	37,2	32,5	28,3	42,8	<<40
160 V	51,5	49,5	48,3	42,5	39,9	35,2	31,0	45,5	40,0
230 V	54,2	52,2	51,0	45,2	42,6	37,9	33,7	48,2	42,5
100 V	44,8	42,8	41,6	35,8	33,2	28,5	24,3	38,8	<<40
130 V	49,1	47,1	45,9	40,1	37,5	32,8	28,6	43,1	<<40
160 V	51,8	49,8	48,6	42,8	40,2	35,5	31,3	45,8	40,0
230 V	54,5	52,5	51,3	45,5	42,9	38,2	34,0	48,5	43,0
100 V	44,4	42,4	41,2	35,4	32,8	28,1	23,9	38,4	<<40
130 V	48,7	46,7	45,5	39,7	37,1	32,4	28,2	42,7	<<40
160 V	51,4	49,4	48,2	42,4	39,8	35,1	30,9	45,4	40,0
230 V	54,1	52,1	50,9	45,1	42,5	37,8	33,6	48,1	42,5
100 V	46,5	44,5	43,3	37,5	34,9	30,2	26,0	40,5	<<40
130 V	50,8	48,8	47,6	41,8	39,2	34,5	30,3	44,8	<40
160 V	53,5	51,5	50,3	44,5	41,9	37,2	33,0	47,5	42,0
230 V	56,2	54,2	53,0	47,2	44,6	39,9	35,7	50,2	45,0
100 V	46,3	44,3	43,1	37,3	34,7	30,0	25,8	40,3	<<40
130 V	50,6	48,6	47,4	41,6	39,0	34,3	30,1	44,6	<40
160 V	53,3	51,3	50,1	44,3	41,7	37,0	32,8	47,3	41,5
230 V	56,0	54,0	52,8	47,0	44,4	39,7	35,5	50,0	44,5
100 V	46,6	44,6	43,4	37,6	35,0	30,3	26,1	40,6	<<40
130 V	50,9	48,9	47,7	41,9	39,3	34,6	30,4	44,9	<40
160 V	53,6	51,6	50,4	44,6	42,0	37,3	33,1	47,6	42,0
230 V	56,3	54,3	53,1	47,3	44,7	40,0	35,8	50,3	45,0
100 V	48,4	46,4	45,2	39,4	36,8	32,1	27,9	42,4	<<40
130 V	52,7	50,7	49,5	43,7	41,1	36,4	32,2	46,7	41,0
160 V	55,5	53,5	52,3	46,5	43,9	39,2	35,0	49,5	44,0
230 V	58,1	56,1	54,9	49,1	46,5	41,8	37,6	52,1	46,5
100 V	48,2	46,2	45,0	39,2	36,6	31,9	27,7	42,2	<<40
130 V	52,5	50,5	49,3	43,5	40,9	36,2	32,0	46,5	41,0
160 V	55,2	53,2	52,0	46,2	43,6	38,9	34,7	49,2	44,0
230 V	57,9	55,9	54,7	48,9	46,3	41,6	37,4	51,9	46,0
100 V	48,6	46,6	45,4	39,6	37,0	32,3	28,1	42,6	<<40
130 V	52,9	50,9	49,7	43,9	41,3	36,6	32,4	46,9	41,5
160 V	55,6	53,6	52,4	46,4	44,0	39,3	35,1	49,6	44,0
230 V	58,3	56,3	55,1	49,3	46,7	42,0	37,8	52,3	47,0
100 V	49,8	47,8	46,6	40,8	38,2	33,5	29,3	43,8	<40
130 V	54,1	52,1	50,9	45,1	42,5	37,8	33,6	48,1	42,5
160 V	56,8	54,8	53,6	47,8	45,2	40,5	36,3	50,8	45,0
230 V	59,6	57,6	56,4	50,6	48,0	43,3	39,1	53,6	48,0

**DIMENSIONI
E PESI**

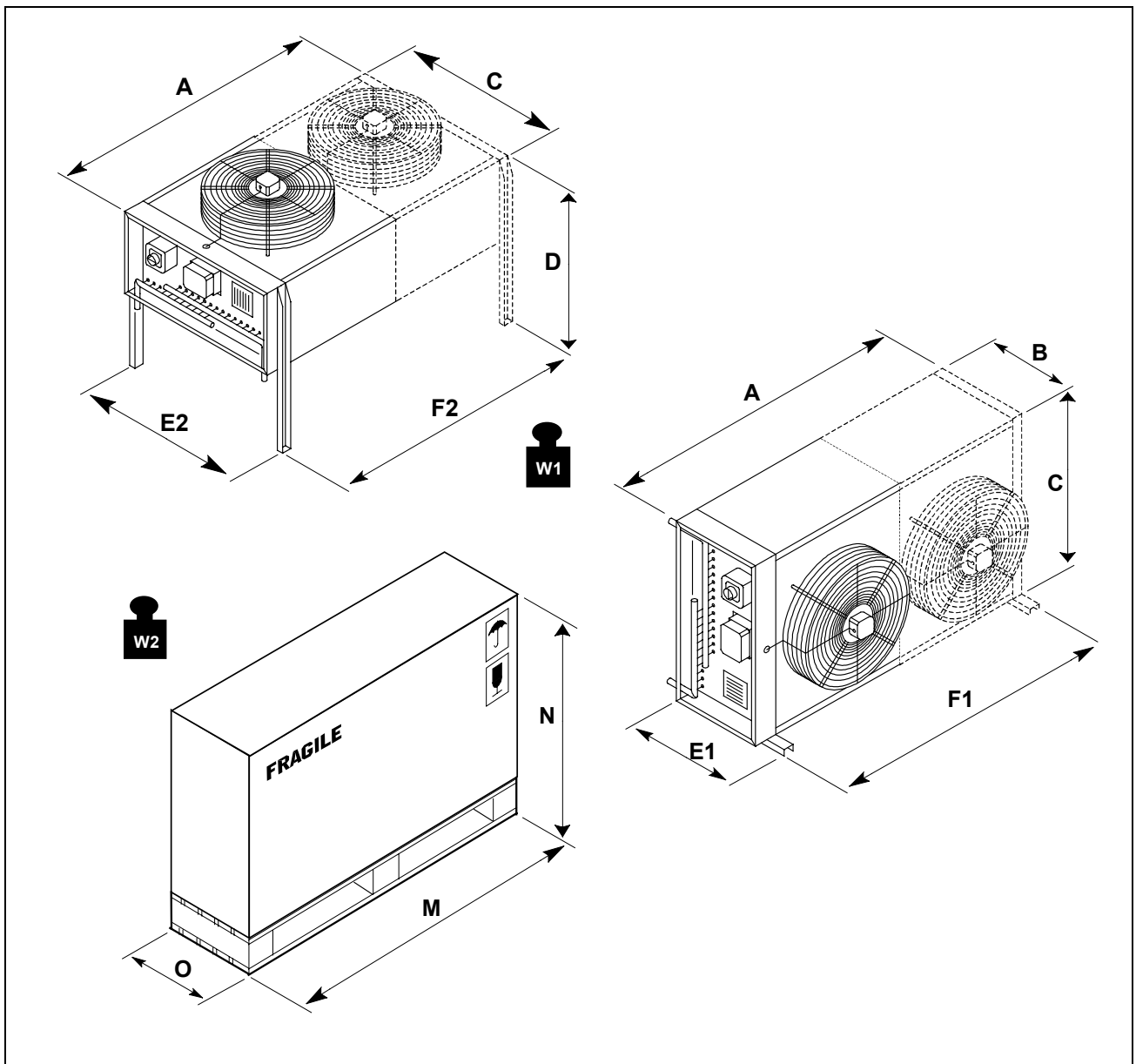
**DIMENSIONS
AND WEIGHTS**

**ABMESSUNGEN UND
GEWICHTE**

**DIMENSIONS
ET POIDS**

**DIMENSIONES
Y PESOS**

	CAL0231	CAL0251	CAL0331	CAL0361	CAL0511	CAL0661	CAL0801	CAL1011	CAL1301	CAL1801
A mm	730	830	830	1180	1180	1180	1830	1830	2230	2130
B mm	350	350	350	350	350	350	350	350	350	350
C mm	600	700	700	700	700	950	950	950	950	1100
D mm	700	700	700	700	700	700	700	700	700	700
E1 mm	395	395	395	395	395	395	395	395	395	395
F1 mm	640	740	740	1090	1090	1090	870x2	870x2	1070x2	1020x2
E2 mm	630	730	730	730	730	980	980	980	980	1130
F2 mm	640	740	740	1090	1090	1090	870x2	870x2	1070x2	1020x2
M mm	850	950	950	1300	1300	1300	1950	1950	2350	2250
N mm	670	770	770	770	770	1020	1020	1020	1020	1170
O mm	550	550	550	550	550	550	550	550	550	550
W1 kg	21	23	30	40	50	65	90	105	125	145
W2 kg	23	26	33	45	55	73	100	115	140	160





UNIFLAIR ITALIA S.r.l.

Via dell'industria, 10
35020 BRUGINE (Padova) - Italy
Tel. +39 (0)49 9713211
Fax +39 (0)49 5806906

Internet: www.UNIFLAIR.com
E-mail: INFO@UNIFLAIR.com

ManualCode@Digit: 06MM035 @ 00M0110